

4

3

2

1

D

D

C

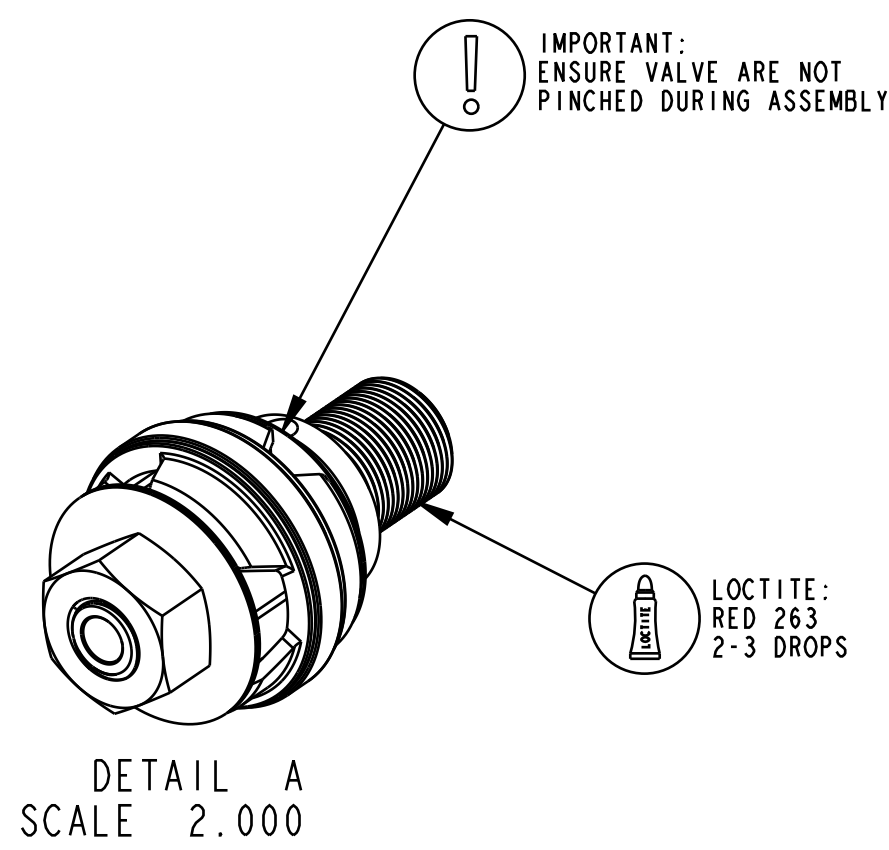
C

B

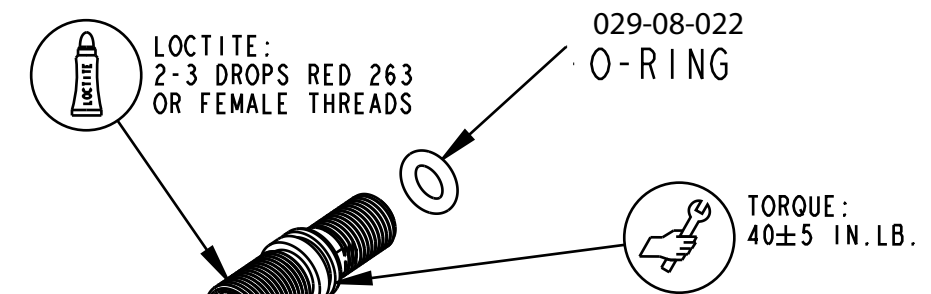
B

A

A



APPLY BLUE MARINE GREASE TO THREADS ON ALUMINUM REBOUND NEEDLES



210-22-958
BASE STUD



Rebound Needle

010-01-012
Ball [Ø.1094]

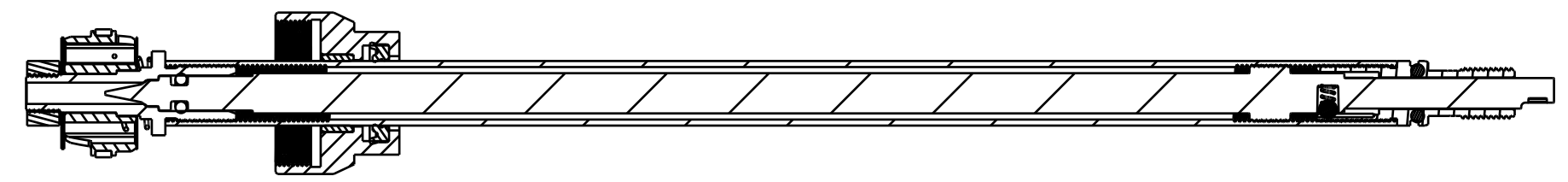
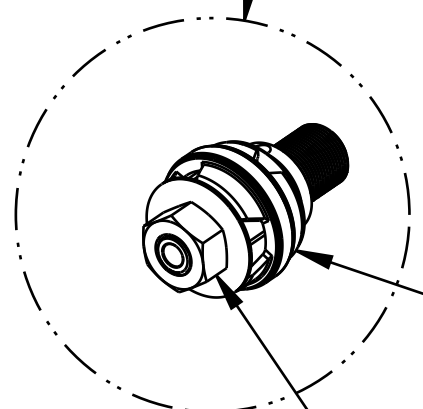
039-00-243
Spring: Detent [.138 TLG, .087 OD, 48 lb/in]

029-03-005
O-Ring (-005) [.070 C.S. X 0.101 ID]

820-03-476-KIT
2016 FIT4 Bearing Housing Assy

SEE DETAIL A

Damper Shaft



FOX	FOX Factory, Inc.	Ph 831-768-1100
	130 Hangar Way, Watsonville, CA 95076 USA	Fax 831-768-9312
TITLE	DAMPER SHAFT, GRIP	
SIZE	DWG. NO.	
C		
PLOT SCALE .00:1	SHEET 1 OF 1	

PROPRIETARY - THIS DOCUMENT CONTAINS CONFIDENTIAL, PROPRIETARY INFORMATION THAT IS FOX PROPERTY. DO NOT DISCLOSE TO OR DUPLICATE FOR OTHERS EXCEPT AS AUTHORIZED BY FOX.

4

3

2

1

ProE ASSEM